

2018-2019 Course Registration Guide



CONTENTS

Developmental Exemption	Page 2
Course Placement	Page 2
Register for PERT Test	Page 3
Math & English Sequences	Page 3
General Education Courses	Page 4
Registering for Courses	Page 5
Registration Holds	Page 6
Textbooks	Page 6
Parking on Campus	Page 6
Paying for College	Page 7
Financial Aid	Page 7
Resources & Technology	Page 8
Support Services & Offices	Page 9
Academic Calendar	Page 10

DEVELOPMENTAL COURSE EXEMPTION STATUS & PLACEMENT TESTING

You are **EXEMPT** if you:

Attended and graduated from a Florida public high school since 2007
AND Earned a Florida standard high school diploma

OR

Currently serving as active duty military in any branch

EXEMPT students are:

- Not required to take the common placement test to determine college-readiness
- Permitted to enroll in any college credit course that does not require a college-level prerequisite
- Permitted to opt into placement testing and then opt to or opt not to enroll in developmental courses

NON-EXEMPT students:

- Will follow the College's established placement testing and developmental education requirements.
- May be required to enroll in developmental education based on placement scores
- May submit official scores (less than two years old) to determine course placement using these assessments: PERT, ACT, or SAT, and/or FCAT 2.0

COURSE PLACEMENT CHART

Academic Area	Course	PERT	ACT	SAT (Before 3/1/2016)	SAT (After 3/1/2016)	Grade 10 FCAT 2.0
English	ENC 0017	Writing 50-89 & Reading 50-83	1-12	Verbal 200-310	Use PERT scores	
	ENC 0027	Writing 90-102 OR Reading 84-105	13-16	Verbal 320-430	Use PERT scores	
	ENC 1101	Writing 103+ & Reading* 106+	English 17-36 & Reading 19-36	Verbal 440+	Writing and Language 25+ & Reading 24+	Reading 262+
Reading	ENC 0017	Writing 50-89 & Reading 50-83	1-12	Verbal 200-310	Use PERT scores	
	ENC 0027	Writing 90-102 OR Reading 84-105	13-18	Verbal 320-430	Use PERT scores	
	REA 1105 (optional)	106+	19+	Verbal 440+	24	Reading 262+
Mathematics	MAT 0018	50-95	0-15	200-350	Use PERT scores	
	MAT 0028 MAT 0027	96-113	16-18	360-430	Use PERT scores	
	MAT 1033 MAT 1100 MTB 1370	114-122	19-22	440-510	24	
	MAC 1105 MGF 1106 MGF 1107	123+	23-25	520-570	27.5	
	MAC 1140 MAC 1114 MAC 2233 STA 2023	Additional Testing Required**	26+	580+	Additional Testing Required**	
	MAC 2311	Additional Testing Required (Advanced Math Placement Test)				

Advanced Placement Math Test Scores

0-12 MAC1105, MGF1106, MGF1107
13-25 MAC1140, MAC1114, MAC2233, STA2023
26+ MAC2311

REGISTER FOR PERT PLACEMENT TEST

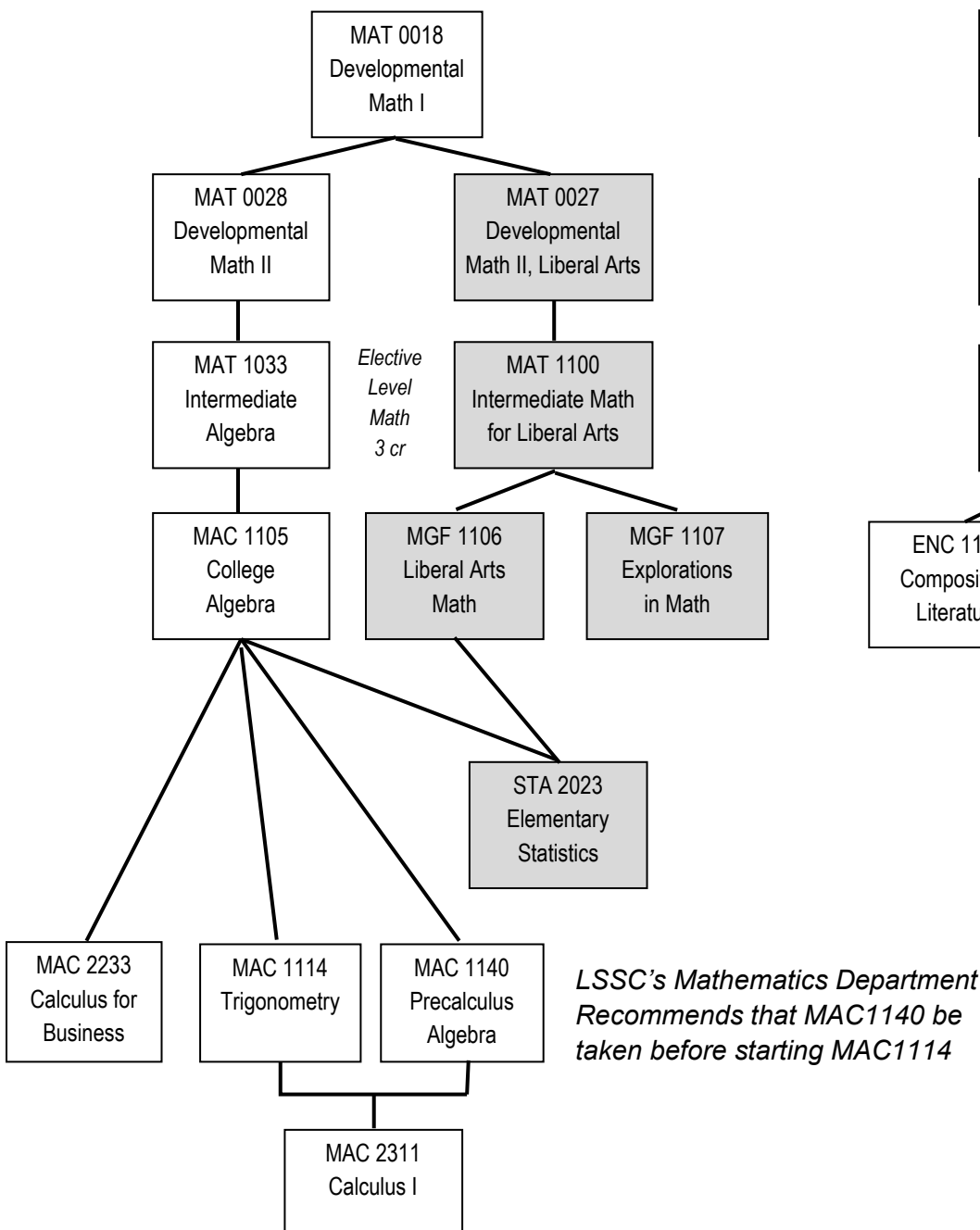
- 1) Pick up a PERT Testing Referral from any Admissions & Records/Enrollment Services office and pay the \$20 fee.
- 2) Register for your desired testing day and time online at www.LSSC.edu > Student Tab > Testing Link

We suggest that you ask about a PERT Workshop before you take the test and review the PERT Study Guide (available online) with the math and English tutors! Call the Learning Center testing specialist at 352-435-5009 for details.

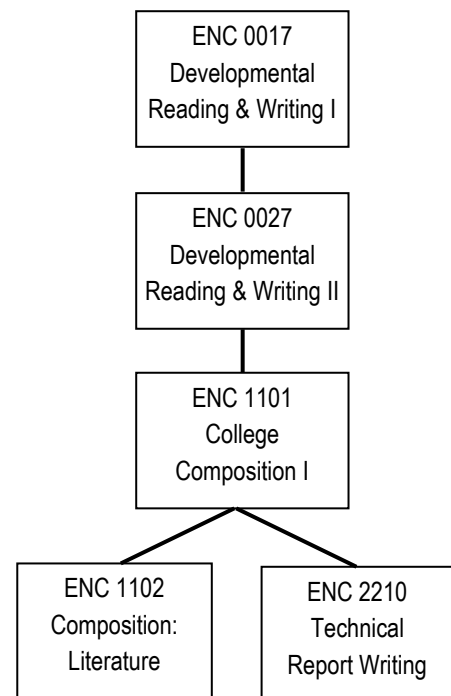
* To place into ENC 1101, students must have both a PERT Writing score of 103-150 and a Reading score of 106-150

If a student places into ENC0027 with either their PERT Writing OR Reading score, they must successfully pass ENC0027 prior to enrolling in ENC1101.

Mathematics Course Sequence



English & Reading Course Sequence



GENERAL EDUCATION CORE CURRICULUM

Area I: Communications (COMM) 9 credits

* ENC 1101 College Composition I

Select 1 from the following:

* ENC 1102 Composition: Literature

* ENC 2210 Technical & Professional Writing

SPC 2608 Public Speaking

Area II: Humanities (HUMN) 6 credits

State Core Select 1 of the following:

ARH 2000 Art Appreciation

HUM 2020 Intro to Humanities: Antiquity through 21st Century

* LIT 2000 Introduction to Literature

MUL 2010 Music Appreciation

* PHI 2010 Introduction to Philosophy

THE 1000 Theater Appreciation

Institutional Core Select 1 of the following:

* AML 2020 American Literature from 1865 to Present

ARH 2050 Art History I

FIL 2001 Introduction to American Cinema

* HUM 2454 African-American Humanities

* HUM 2461 Latin American Humanities

HUM 2930 Selected Topics in Humanities

* LIT 2120 European Literature 1650 to Present

MUH 1018 Introduction to Jazz

* PHI 2630 Contemporary Ethics

REL 2300 World Religions

* THE 2020 Introduction to Western Theatre Arts

Second Level Foreign Language or State Core

Area III: Social / Behavioral Sciences (SBEH) 6 credits

State Core Select 1 of the following:

* AMH 2020 U.S. History Since 1877

* ANT 2000 Introduction to Anthropology

ECO 2013 Principles of Economics I, Macroeconomics

* POS 2041 American National Government

PSY 2012 Introduction to Psychology

SYG 2000 Introduction to Sociology

Institutional Core Select 1 of the following:

* AMH 2010 US History to 1877

ANT 2100 Introduction to World Archaeology

DEP 2004 Psychology of Human Development

ECO 2023 Principles of Economics II, Microeconomics

* EUH 1000 Western Civilization I

* EUH 1001 Western Civilization II

GEO 1000 Introduction to Geography

INR 2002 International Relations

Or choose any State Core

Area IV: Mathematics (GRMT) 6 credits Select 2 of the following:

MAC 1105 College Algebra (3 credits)

MAC 1114 Trigonometry (3 credits)

MAC 1140 Precalculus Algebra (4 Credits)

MAC 2233 Calculus for Business (3 Credits)

MAC 2311 Calculus w/Analytic Geometry I (4 Credits)

MAC 2312 Calculus w/Analytic Geometry II (4 Credits)

MGF 1106 Liberal Arts Math (3 Credits)

MGF 1107 Explorations In Math (3 Credits)

STA 2023 Elementary Statistics I (3 Credits)

Area V: Natural Sciences (NATS) 6 credits

State Core Select 1 of the following:

AST 1002C Introduction to Astronomy with Lab (3 Credits)

BSC 1005 Introduction to Life Science (3 Credits)

BSC 1010C General Biology I w/Lab (4 Credits)

BSC 1011C General Biology II w/Lab (4 Credits)

BSC 2085C Human Anatomy & Physiology I w/Lab (4 Credits)

BSC 2086C Human Anatomy & Physiology II w/Lab (4 Credits)

CHM 1020 Chemistry in Society (3 Credits)

CHM 2045C General Chemistry I w/Lab (4 Credits)

CHM 2046C General Chemistry II w/Lab (4 Credits)

ESC 1000 Earth Science Survey (3 Credits)

EVR 1001C Environmental Sustainability w/Lab (3 Credits)

MCB 2010C Microbiology w/Lab (4 Credits)

PHY 1020C Physics for Liberal Arts w/Lab (3 Credits)

PHY 2048C Physics with Calculus I w/Lab (5 Credits)

PHY 2049C Physics with Calculus II w/Lab (5 Credits)

PHY 2053C General Physics I w/Lab (5 Credits)

PHY 2054C General Physics II w/Lab (5 Credits)

Institutional Core Select 1 of the following:

BSC 2250C Field Biology of Florida w/ Lab (3 Credits)

CHM 1025C Introductory Chemistry w/Lab (4 Credits)

CHM 1083 Environmental Science (3 Credits)

MET 1010C Introduction to Meteorology w/Lab (3 Credits)

OCE 1000 Introduction to Marine Science (3 Credits)

PSC 1001 Inventions & Discoveries (3 Credits)

PSC 1515 Energy & the Environment (3 Credits)

Or choose any State Core

Area VI: Personal Growth & Development 3 credits

SLS 1501 Found. of Success Sem.

SLS 2940 Service Learning

SLS 1267 Teambuilding & Comm. Skills

SLS 1401 Career Planning

SLS 2264 Leadership Devt. Studies

* CRW 2000 Creative Writing

CGS 1100 Business Computer Apps

HUN 1201 Nutrition w/ Diet Ther.

Or any First Level Foreign Language

*** Denotes Writing Emphasis Courses –
12 Credits Required for AA Graduation**

REGISTERING FOR COURSES

Full-time Status: minimum of 12 credits **Part-time Status:** less than 12 credits

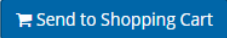
There are 3 course delivery methods to choose from to make your schedule work for you:

Fully Seated—most instruction is delivered in-person; however some course materials/activities may be online.

Hybrid—blends online and in-person delivery of the course content and instruction. A substantial proportion (30-79%) of the content is delivered online and typically has a reduced number of in-person meetings. The class syllabus will detail on-campus class meeting dates or testing in a proctored setting. Hybrid courses always meet in the classroom on the first day of class.

Online—most or all of the content is delivered online (80-100%) and typically has few to no in-person meetings. Some fully online courses may require proctored testing at approved testing sites or centers and other outside-the-classroom course activities, so check your syllabus on the first day!

HOW TO REGISTER FOR CLASSES

- 1) Log in to LOIS using your X-ID and PIN
- 2) Launch “Schedule Planner” by clicking on its link (LOIS home screen under your Account Summary)
 - Select the Semester (ex: Fall 2018)
 - Select the Campus(es)
 - Add your desired Break(s). By setting up times that you cannot take classes, the Schedule Planner will only show you course results that occur during your available times.
 - Add course(s) listed on your personalized Information Sheet/Advising Guide.
 - Click on “Generate Schedules.” View, Preview, and Compare different schedule options.
 - Select your desired courses, and click  which will take you back to LOIS.
- 3) Confirm your course selection in LOIS and then click “Register”
- 4) If a class is full, you may add yourself to a Waitlist. To find more information regarding Waitlisting: http://lssc.edu/academics/schedule/Pages/wait_list_faq.aspx
- 5) Click “Detail Schedule” to see your class schedule and print it. You will see all required textbooks by clicking on “Order Books.”
- 6) To make changes to your class schedule during the Add/Drop period:
Log in to LOIS > Student Tab > Registration—Add/Drop—Course Withdrawal > Course Registration and Course Withdrawal > Choose semester
 - Drop a Class: Choose “Dropped via Web” from the drop-down box next to the class and click “Submit” Changes.” If you get an error message when dropping the only class on your schedule, contact the Admissions Office.

REGISTRATION ERROR MESSAGES

Registration errors may be displayed after the registration has been submitted. The reason for the error will be stated in the “status” field.

Typical registration errors include:

Prereq & Test Score error – You have not completed the prerequisite requirement for entry into the course. Transfer students whose coursework has not been evaluated and entered into LOIS will get this error message unless an Advisor has entered an override; see an Academic Advisor for override information.

Closed Section error – There are no seats available in the course that you have selected. Choose another section.

Co-req and the name of a course – You are attempting to register for a course that has a co-requisite requirement. Choose a section of the required co-requisite to add to your schedule.

Time conflict with . . . – You are attempting to register for a course that meets at the same time as a course for which you previously registered. Choose another section.

Course is not available for registration at this time – The course has been canceled. Choose another section.

If you receive an error message that is not defined above, contact 352-435-6500 for assistance.

ADDITIONAL INFORMATION

RESOLVING REGISTRATION HOLDS

Students may receive an error message when attempting to add, swap, or drop classes that reads “You may not add or drop classes due to holds on your record”. To determine what type of hold you have on your account and who you should contact to resolve your hold, follow these steps:

- 1) Return to the LOIS Main Menu
- 2) Click on “Student”
- 3) Click on “Student Records”
- 4) Click on “View Holds”

TYPE OF HOLD	CONTACT OFFICE	PHONE #
Academic Standing Hold	Academic Advising	352-365-3574
Admissions Fee Waiver Hold	Admissions & Records	352-365-3561
Admissions Veteran's Hold	VA Representative	352-323-3686
Athletic Hold	Athletic Department	352-323-3645
Bookstore (returned check)	Business Office	352-323-3676
Collections Hold	Business Office	352-323-3676
Dual Enrollment Hold	Dual Enrollment	352-365-3569
Financial Hold	Business Office	352-323-3676
Incorrect Address on File Hold	Admissions & Records	352-365-3561
International Student Hold	Admissions & Records	352-365-3561
Library Hold	Library	352-365-3563
Missing Documents Hold	Admissions & Records	352-365-3561
Orientation Hold	Academic Advising	352-365-3574

TEXTBOOKS

E-Follet owns and operates our bookstores and offers the following services:

- Price matching
- Textbook rental
- Textbook buybacks

To determine what textbooks you should purchase:

- Go to the LOIS “Add or Drop a Class” screen, then click on “Detail Schedule”.
- Scroll to the bottom of the screen and click on the “Order Books” link.

Should you choose to purchase textbooks from another student or vendor, please be sure that they have both a matching volume/edition AND the same ISBN. Allow enough time for shipping prior to the start of class!

PARKING ON CAMPUS

All students, faculty, and staff will be issued a free decal that must be displayed on either the back glass or back bumper, visible at all times for our Security Officers to see. Students must park in their assigned parking **yellow** spaces. Students **may not** park in any spaces designated for faculty/staff, visitors, or any space other than a student space. Students must display a valid student parking decal when parking on any LSSC campus.

Rules, regulations, and definitions can be viewed at www.lssc.edu/life/Pages/Parking.aspx

PAYING FOR COLLEGE

AMOUNT DUE

All tuition and fees must be paid by the published Fee Payment Deadline for each semester. Outstanding balances may result in a drop from all registered classes. To check your account balance, log in to LOIS.

Student OWES balance

Account Summary	Semester
Total Current Term Charges:	301.63
Total Current Term Credits:	0.00
Total Current Term Memo's & Authorized Aid	0.00
Previous Balance:	0.00
Current Term Balance:	301.63
Future Balance:	0.00
Amount Due:	<u>301.63</u>

Student does NOT owe balance

Account Summary	Semester
Total Current Term Charges:	1,388.00
Total Current Term Credits:	1,388.00
Total Current Term Memo's & Authorized Aid	0.00
Previous Balance:	-225.00
Current Term Balance:	0.00
Future Balance:	0.00
Amount Due:	<u>-225.00</u>

HOW TO PAY

In-Person at any Cashier's Office (see Page 9 for locations) by Cash, Check, or Money Order

Online by logging in to LOIS and clicking "View Fees and Pay Online." Click "Pay Online via TouchNet Student Account Suite" and choose your method of payment

- E-Check (no fees): transfers directly from connected bank account
- Credit or Debit Card (2.75% fee)

Florida Pre-Paid cards must be submitted in person or by fax to a Cashier's Office prior to the posted fee payment deadline. The Florida Pre-Paid proof must be submitted before each academic year (Aug—July). Florida Pre-Paid may not pay all fees so be sure to check your account balance.

Tuition Installment Plan (TIP) is great for students who cannot pay for all tuition by the fee payment deadline. For more information: <http://mycollegepaymentplan.com/lakesumter/>

BANKMOBILE REFUND CARD

Each registered student will be issued a refund selection kit from BankMobile, a third-party company responsible for processing LSSC student refunds. Except when credit card refunds are issued, this is how you will receive student refunds from LSSC. Your BankMobile refund selection kit will be sent to your primary address on file with the College and/or through Lakehawk Mail. To learn more about BankMobile, please visit: <http://bankmobilevibe.com/>

FINANCIAL AID

If you are expecting financial aid that has not yet been added to your account, you should review your financial aid information for accuracy, missing documentation, and status through your LOIS account's Financial Aid tab. In addition to the steps below, check your Lakehawk Mail for a message from the Financial Aid office.



- 1) Click on "What is my award?" to review your award information
- 2) Click on "Eligibility" to review your eligibility
- 3) Click on "Financial Aid Status" to review your overall status
- 4) Click on "Other Financial Aid Links" for helpful information, FAQs, and forms

If you still need help after checking LOIS and Lakehawk Mail, contact your nearest Financial Aid office (see Page 9). Other financial aid resources are available through libguides.lssc.edu/scholarships.

LSSC FOUNDATION SCHOLARSHIPS

Through the generosity of supporters of Lake-Sumter State College, the Foundation awards over \$500,000 in scholarships each year to students attending LSSC. All LSSC students with a 2.0 GPA or above are encouraged to apply. The amount and number awarded vary from year to year based on available funding. For more information on how to apply, visit: <http://lssc.edu/foundation/scholarships>.

STUDENT RESOURCES & TECHNOLOGY

Resource	Description	Access Information
LOIS Account	Course registration (Add, Drop, Withdraw); Personal account information; Financial aid updates/status; Tuition/Fee charges & payments; Starfish; Degreeworks; Registration holds; Final grades & GPA <i>If locked out of account, contact Admissions</i>	From www.LSSC.edu , click:  First-time Login: User ID: X00##### PIN: 6-digit birthday
Lakehawk Mail	LSSC assigned email account. Check at least once per day for important messages from the College, Faculty, and Staff. Accessible from any computer, tablet, or smartphone.	To Activate: 1) Log into LOIS 2) Select "Personal Information" tab and click "View E-mail Addresses" 3) Click: LSSC.edu/Lakehawk 4) Select "First Time Login Instructions"
SelfPass	Online password reset tool that can be accessed at any time and does not require contact with the Help Desk. Set up profile right away!	https://selfpass.lssc.edu 1) Create account using Lakehawk Mail address and current password. 2) Enter cell phone #, alternate email address, and choose 5 security questions.
Canvas	Web-based learning management system used for all LSSC courses.	From www.LSSC.edu , click:  User ID: Lakehawk Mail address PIN: LSSC password
Starfish	Scheduling appointments with Academic & Career advisors; Read message and kudos notes from faculty; Find contact information for student services	Log in to either LOIS or Canvas to access your account: User ID: Lakehawk Mail account PIN: LSSC password
SafeLSSC	Report a concern or incident; Community Resources; Title IX information; Emergency protocol	www.LSSC.edu/SafeLSSC
LSSC Alert	Receive alerts regarding: campus closures; inclement weather; criminal activity; campus emergencies. Alerts sent to phones via call & text and to all registered email accounts	You are automatically enrolled. Friends/family can receive alerts by registering here www.getrave.com/login/lssc .
DegreeWorks	Degree audit; Course planning; Graduation check	Access from LOIS "Student" tab
Career Pathways	Request credit for completed high school technical programs (Tech Prep)	careerpathways@lssc.edu
College Catalog	All degrees & programs; College policies & procedures; Course descriptions; General Education list; Graduation requirements	www.LSSC.edu/Catalog
Faculty Websites	See office hours and available syllabi	www.LSSC.edu/Faculty

STUDENT SUPPORT SERVICES & OFFICES

Office	Example of Available Services	Contact Information
Academic Advising	Academic/Major Planning; Course Concerns; Administrative Appeals; Graduation & Transfer Preparation	www.LSSC.edu/Advising Leesburg: (352) 365-3574 South Lake: (352) 243-5722 Sumter: (352) 568-0001 <i>Appointments are scheduled using your Starfish account!</i>
Bookstore	New, used, and digital textbooks; school supplies, LSSC clothing and gifts; snacks; Textbook buyback	www.efollett.com (352) 435-6334
Cashier's Office	Pay tuition and fees; Check account balances	Leesburg: Student Services Building South Lake: Building 2 Sumter: Clark Maxwell Building
Career Development Services (CDS)	Major/Career Exploration; Resume Reviews; Mock Interviews Activate your Lakehawk Career Connect: Job and Internship Search	www.LSSC.edu/Careers Leesburg: (352) 323-3603 South Lake: (352) 243-5722 Sumter: (352) 323-3603 <i>Appointments are scheduled using your Starfish account!</i>
Financial Aid	FAFSA; Loans; Scholarships	www.LSSC.edu/FinAid (352) 365-3567
Foundation	LSSC scholarships; applications available: June, October, and March	www.LSSC.edu/Foundation (352) 365-3518
Information Tech. Help Desk	Canvas support; LOIS; Lakehawk email; Student technology issues	(352) 435-6500 Email: HelpDesk@lssc.edu
Learning Centers	In-Person & Online Tutoring (English, Math, Science); Computer Labs; Exam Preparation; Proctored Tests; PERT testing; CLEP testing	Leesburg: (352) 365-3554 South Lake: (352) 536-2206
Library	Journals; Research Assistance; Citation & Document Formatting; Computer Labs	www.LSSC.edu/Library
Student Life	Campus Activities; Student Government Association; Clubs & Organizations	www.LSSC.edu/Life
Students with Disabilities	Auxiliary Aids and/or Services; Permanent or Temporary Accommodations	(352) 365-3589
DirectConnect to UCF	UCF Connect students: pre-admission advising, academics, financial aid, transition services	(352) 536-2113 Directconnect.ucf.com

	FALL 2018 8/20/2018-12/8/2018 (16 weeks)	SPRING 2019 1/7/2019-4/27/2019 (16 weeks)	SUMMER A 2019 5/6/2019-6/20/2019 (7 weeks)	SUMMER AE 2019 5/6/2019-8/8/2019 (14 weeks)	SUMMER B 2019 6/24/2019-8/8/2019 (7 weeks)
Financial Aid- FAFSA Priority Deadline	Sun 4/1/2018	Mon 10/1/2018	Fri 3/1/2019	Fri 3/1/2019	Fri 3/1/2019
Foundation Scholarship Applications	Mon 6/4/2018 - Thurs 6/28/2018	Mon 10/1/2018 - Wed 10/31/2018	Fri 3/1/2019 - Fri 3/29/2019	Fri 3/1/2019 - Fri 3/29/2019	Fri 3/1/2019 - Fri 3/29/2019
Admission Application Deadline	Mon 8/6/2018	Mon 12/3/2018	Mon 4/22/2019	Mon 4/22/2019	Mon 6/10/2019
Open Registration Begins (Starts 9 AM)	Mon 6/4/2018 - Sun 8/26/2018	Mon 11/19/2018 - Sun 1/13/2019	Mon 3/25/2019 - Tues 5/7/2019	Mon 3/25/2019 - Sun 5/12/2019	Mon 3/25/2019 - Tues 6/25/2019
Bookstore Authorization for Financial Aid Recipients	Mon 8/6/2018 - Wed 8/29/2018	Mon 12/10/2018 - Wed 1/16/2019	Mon 4/22/2019 - Wed 5/15/2019	Mon 4/22/2019 - Wed 5/15/2019	Mon 4/22/2019 - Wed 5/15/2019
Fee Payment Deadlines Sunday Fee Payment Deadline- Online Only	Tues 8/14/2018 (4PM) Tues 8/21/2018 (4PM) Sun 8/26/2018 (11:59PM)	Thurs 1/3/2019 (4PM) Tues 1/8/2019 (4PM) Sun 1/13/2019 (11:59PM)	Tues 4/30/2019 (4PM) Tues 5/7/2019 (4PM) Sun 5/12/2019 (11:59PM)	Tues 4/30/2019 (4PM) Tues 5/7/2019 (4PM) Sun 5/12/2019 (11:59PM)	Tues 6/18/2019 (4PM) Sun 6/30/2019 (11:59PM)
State Employee Fee Waiver Registration Starts	Fri 8/17/2018	Fri 1/4/2019	Fri 5/3/2019	Fri 5/3/2019	Fri 6/21/2019
Classes Begin	Mon 8/20/2018	Mon 1/7/2019	Mon 5/6/2019	Mon 5/6/2019	Mon 6/24/2019
Last Day to Submit Residency and Fee Waiver Documentation (By 4 PM)	Fri 8/24/2018	Fri 1/11/2019	Tues 5/7/2019	Thurs 5/9/2019	Tues 6/25/2019
Add Deadline* (By 11:59 PM)	Sun 8/26/2018	Sun 1/13/2019	Tues 5/7/2019	Sun 5/12/2019	Tues 6/25/2019
Drop Deadline* (Last day for refund) (By 11:59 PM)	Sun 8/26/2018	Sun 1/13/2019	Sun 5/12/2019	Sun 5/12/2019	Sun 6/30/2019
Graduation Application in LOIS	Fri 7/20/2018 - Fri 10/19/2018	Fri 11/16/2018 - Fri 2/15/2019	Thurs 3/21/2019 - Thurs 5/23/2019	Thurs 3/21/2019 - Thurs 5/23/2019	Thurs 3/21/2019 - Thurs 5/23/2019
Withdrawal Deadline	Mon 10/29/2018	Mon 3/25/2019	Thurs 6/6/2019	Thurs 7/11/2019	Thurs 7/25/2019
Classes End	Sat 12/1/2018	Sat 4/20/2019	Wed 6/19/2019	Thurs 8/1/2019	Wed 8/7/2019
Final Exams	Mon 12/3/2018 - Sat 12/8/2018	Mon 4/22/2019 - Sat 4/27/2019	Wed 6/19/2019 - Thurs 6/20/2019	Mon 8/5/2019 - Thurs 8/8/2019	Wed 8/7/2019 - Thurs 8/8/2019
Grades Due (By 12 PM)	Mon 12/10/2018	Mon 4/29/2019	Mon 6/24/2019	Mon 8/12/2019	Mon 8/12/2019
Grades Available via LOIS	Wed 12/12/2018	Wed 5/1/2019	Wed 6/26/2019	Wed 8/14/2019	Wed 8/14/2019
Holidays/College Closed	Mon 9/3/2018 Fri 10/19/2018 Sun 11/11/2018 Wed 11/21/2018 - Sun 11/25/2018 Sat 12/15/2018 - Tues 1/1/2019	Mon 1/21/2019 Sun 3/17/2019 - Sun 3/24/2019	Mon 5/27/2019	Mon 5/27/2019 Thurs 7/4/2019	Thurs 7/4/2019

Leesburg Campus
9501 U.S. Highway 441
Leesburg, FL 34788
352-787-3747

South Lake Campus
1250 N. Hancock Road
Clermont, FL 34711
352-243-5722

Sumter Center
1405 County Road 526A
Sumterville, FL 33585
352-568-0001

